



INSTALLATION INSTRUCTIONS

IMPORTANT SAFETY INSTRUCTIONS

MESURES DE SECURITE A RESPECTURE

Before assembling your ACCESS LIGHTING fixture, please make sure that you carefully read through this instruction sheet. Save this instruction sheet and refer to it when additions to or changes in the fixture configuration are made.

Lisez attentivement ce manuel d'instructions. Enregistrer cette feuille d'instructions et de s'y référer lorsque les ajouts ou changements dans la configuration de montage sont faites.

CONSULT A QUALIFIED ELECTRICIAN TO ENSURE CORRECT BRANCH CIRCUIT CONDUCTOR.

CONSULTER UN ELECTRICIEN QUALIFIE POUR VOUS ASSURER QUE LES CONDUCTEURS DE LA DERIVATION SONT ADEQUATS

THIS PRODUCT MUST BE INSTALLED IN ACCORDANCE WITH THE APPLICABLE INSTALLATION CODE BY A PERSON FAMILIAR WITH THE CONSTRUCTION AND OPERATION OF THE PRODUCT AND THE HAZARDS INVOLVED. CE PRODUIT DOIT ETRE INSTALLE SELON LE CODE D'INSTALLATION PERTINENT, PAR UNE PERSONNE QUI CONNAIT BIEN LE PRODUIT ET SON FONCTIONNEMENT AINSI QUE LES RISQUES INHERENTS

NOTE: The important safeguards and instructions that appear in this manual are not meant to cover all possible conditions and situations that may occur. It must be understood that common sense, caution and care, are factors that can't be built into any product. These factors must be supplied by the person(s) caring for and operating the fixture.

Read all instructions

Do not install this fixture in hazardous locations.

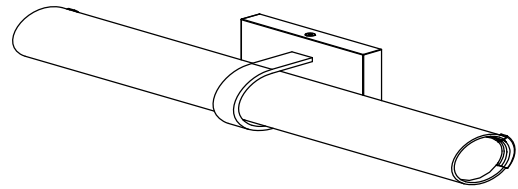
N'installez pas cet appareil dans des emplacements dangereux.

Do not install any fixture assembly closer than 6 inches from any curtain or similar combustible material.

Laisser une distance d'au moins 6 pouces entre ce luminaire et la toute surface combustible.

"WARNING Risk of Fire and Electric Shock."

"CAUTION: Risque d' Incendie et de Choc Electriques."



COLLECTION

ESCAPE

APPLICATION

Wall Fixture

MODEL NO.

62520LEDD
62521LEDD
62522LEDD

WHAT WE PROVIDE

- Mounting Hardware
- Mounting Bracket
- Glass shade
- LED

WHAT YOU NEED

- Screwdriver
- Wire Cutters
- Wiring Supplies as Specified by Electrical Code

Recommended Dimmers

- LUTRON Diva DVELV-300P
- LUTRON Skylark Contour CTCL-153P
- LEVITON Decora Sure slide 6672
- LEVITON Decora Sure slide 6674
- LUTRON Ariadni/Toggler TGCL-153P
- LUTRON Diva DVCL-153P

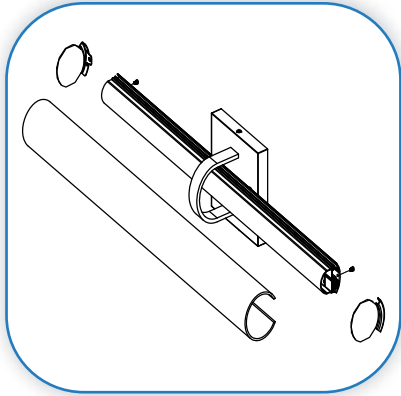
GENERAL INFORMATION

All electrical connections must be in accordance with all ordinances, Local and the U.S. National Electrical Codes (NEC). These fixtures are intended for mounting to a standard 4" metal octagon outlet box.

The box must be directly supported by the building structure and U.L. Recognized.

STEP BY STEP INSTRUCTIONS

Before starting your installation disconnect the Power by turning off the Circuit Breaker or by removing the fuse at the fuse box. Just turning the light off at the light switch is not sufficient to prevent electrical shock.

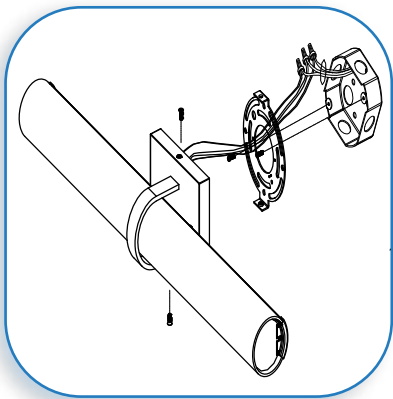


1

PREPARE THE FIXTURE

If there is an existing fixture remove it.

Carefully slide the glass shade onto the fixture. Secure the glass shade to the fixture body with the two ends caps and and screws provided.



2

MAKE THE WIRE CONNECTIONS AND MOUNT THE FIXTURE

Expose the supply wires from the J-box. Secure the mounting bracket to the J-box with the supplied screws. Connect the black supply wire to the black fixture wire. Secure with the supplied wire nuts. Connect the white supply wire to the white fixture wire. Secure with the supplied wire nuts. Attach the green J-Box wire around green hexagonal head screw or connect it to the green supply grounding wire of the fixture. Secure all wire with electrical tape (not supplied). Tuck all wires carefully into the J-Box.

Align the fixture onto the mounting bracket and secure with the supplied screws.

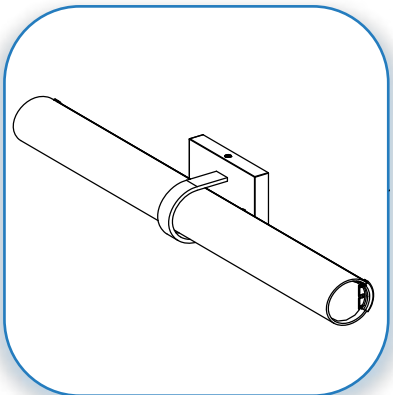
WARNING: DO NOT RESTORE ELECTRICITY AND USE THIS FIXTURE BEFORE THE GLASS SHADE IS INSTALLED

AVERTISSEMENT : NE RESTEZ PAS L'ÉLECTRICITÉ ET N'UTILISEZ PAS CE LUMINAIRE AVANT L'INSTALLATION DE L'ABAT-JOUR EN VERRE

RESTORE THE ELECTRICITY AND CHECK THE OPERATION OF YOUR NEW ACCESS LIGHTING FIXTURE

RESTAURATION DE L'ÉLECTRICITÉ ET VÉRIFIER LE FONCTIONNEMENT DE VOTRE NOUVEAU LUMINAIRE D'ÉCLAIRAGE D'ACCÈS

3



CAUTION

If the fixture is to be removed or replaced, please ensure that the electricity is switched off and that the fitting is cool before touching it.

AVERTIR

Si le luminaire doit être retiré ou remplacé, veuillez vous assurer que l'électricité est coupée et que le luminaire est froid avant de le toucher.